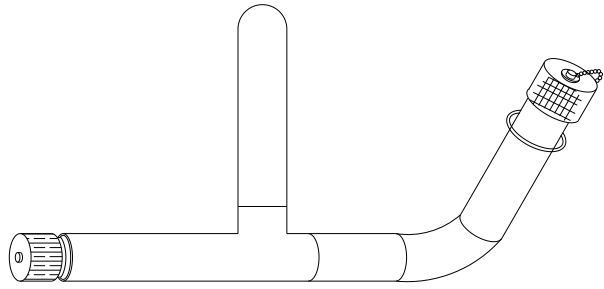
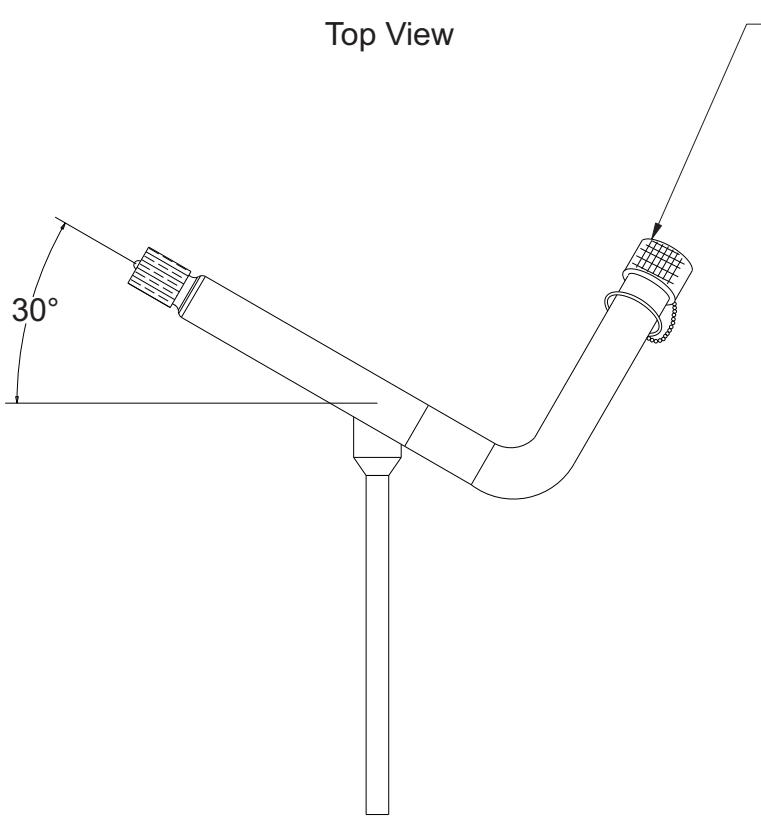


Dewar Withdrawal Lance

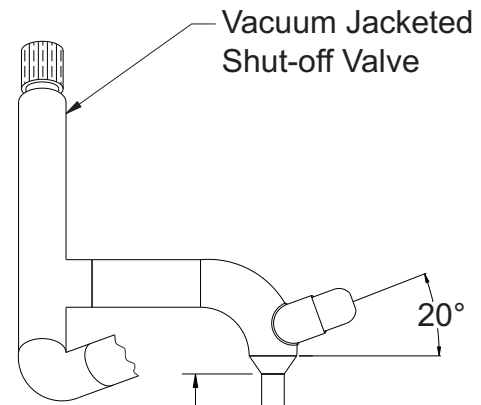


Top View



Front View

1/2" x 6" Linde Style Female Bayonet w/ Protective Cover



Vacuum Jacketed Shut-off Valve

20°

Diptube

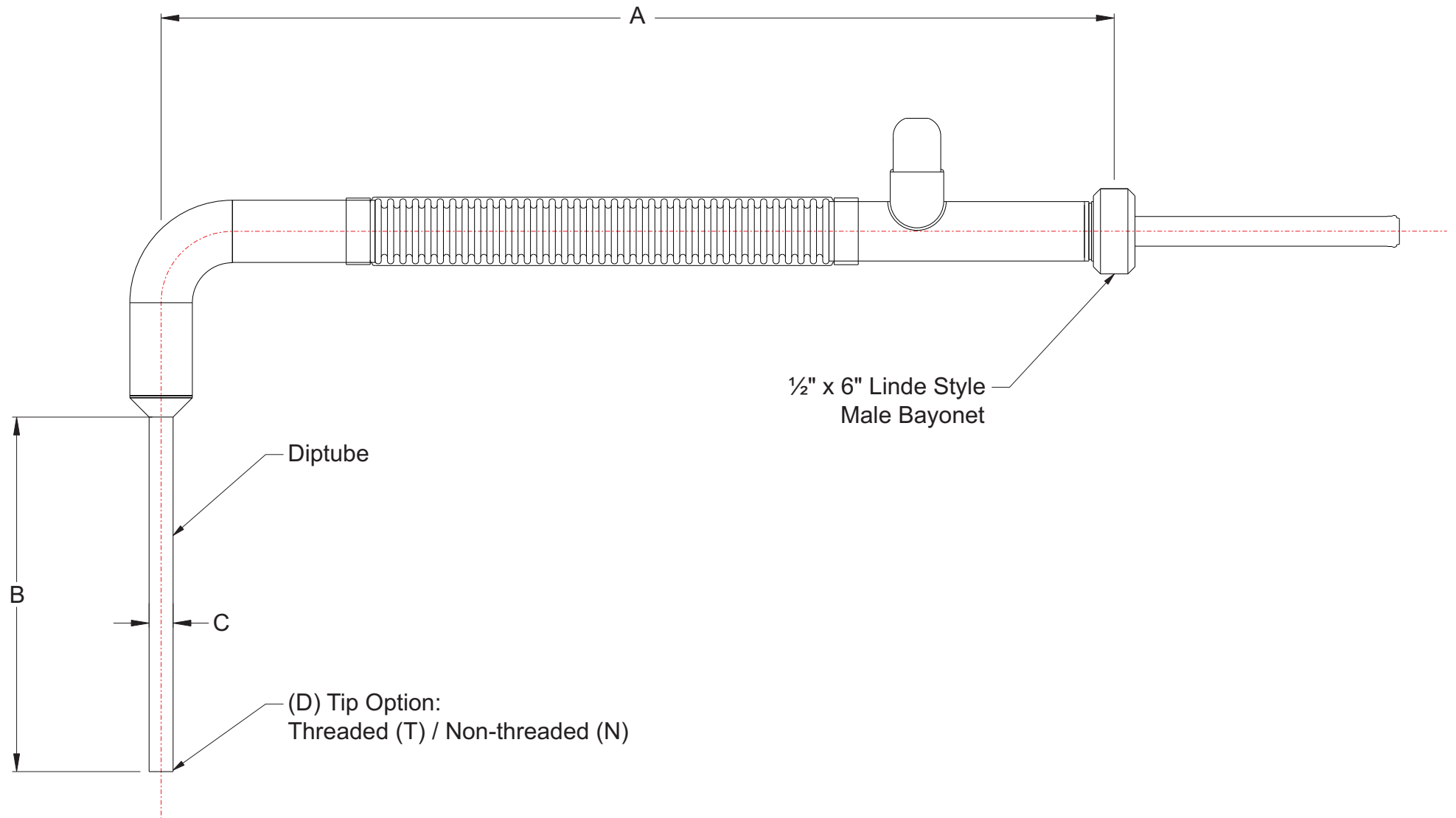
A

B

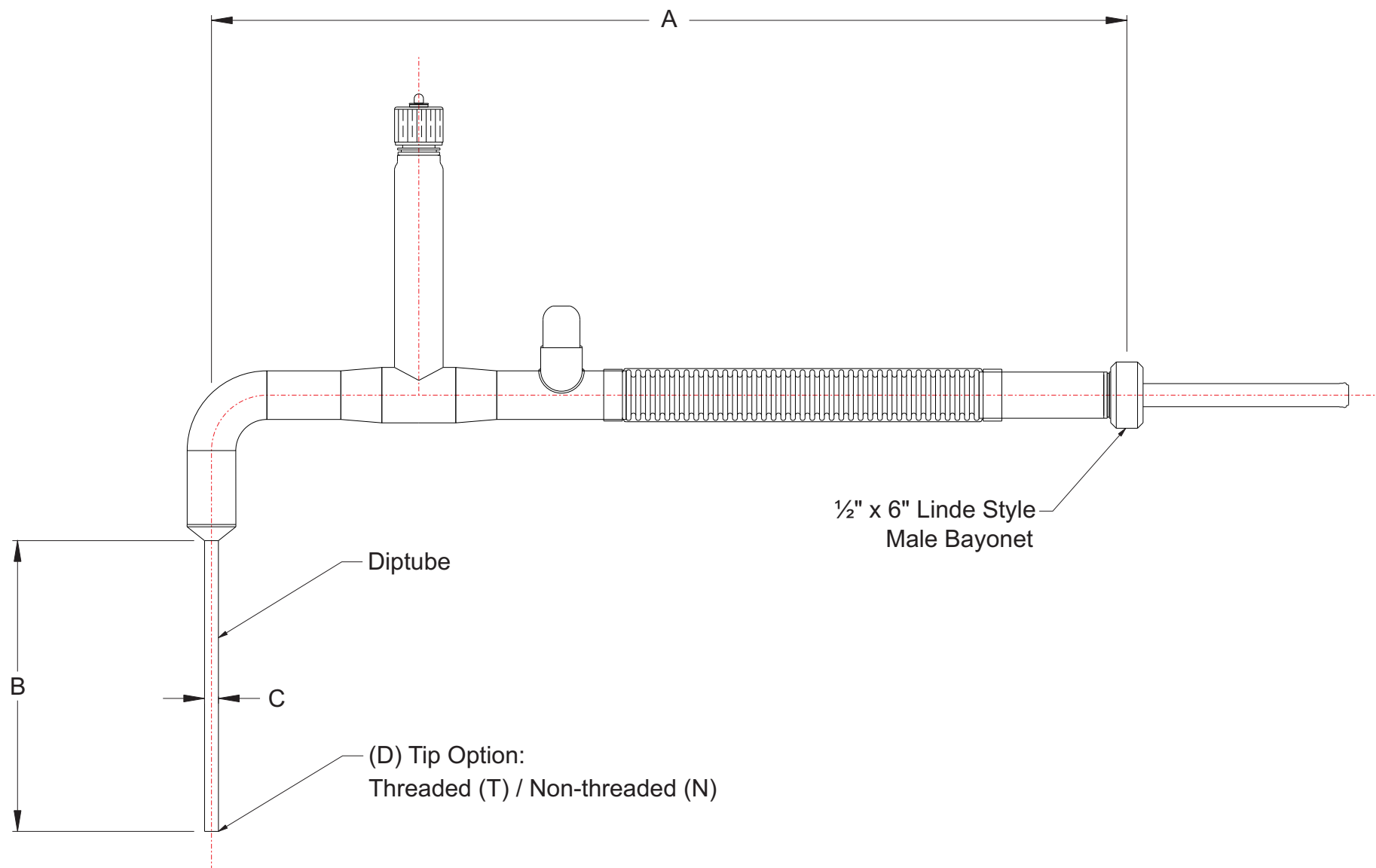
(C) Tip Option:
Threaded (T) / Non-threaded (N)

Side View

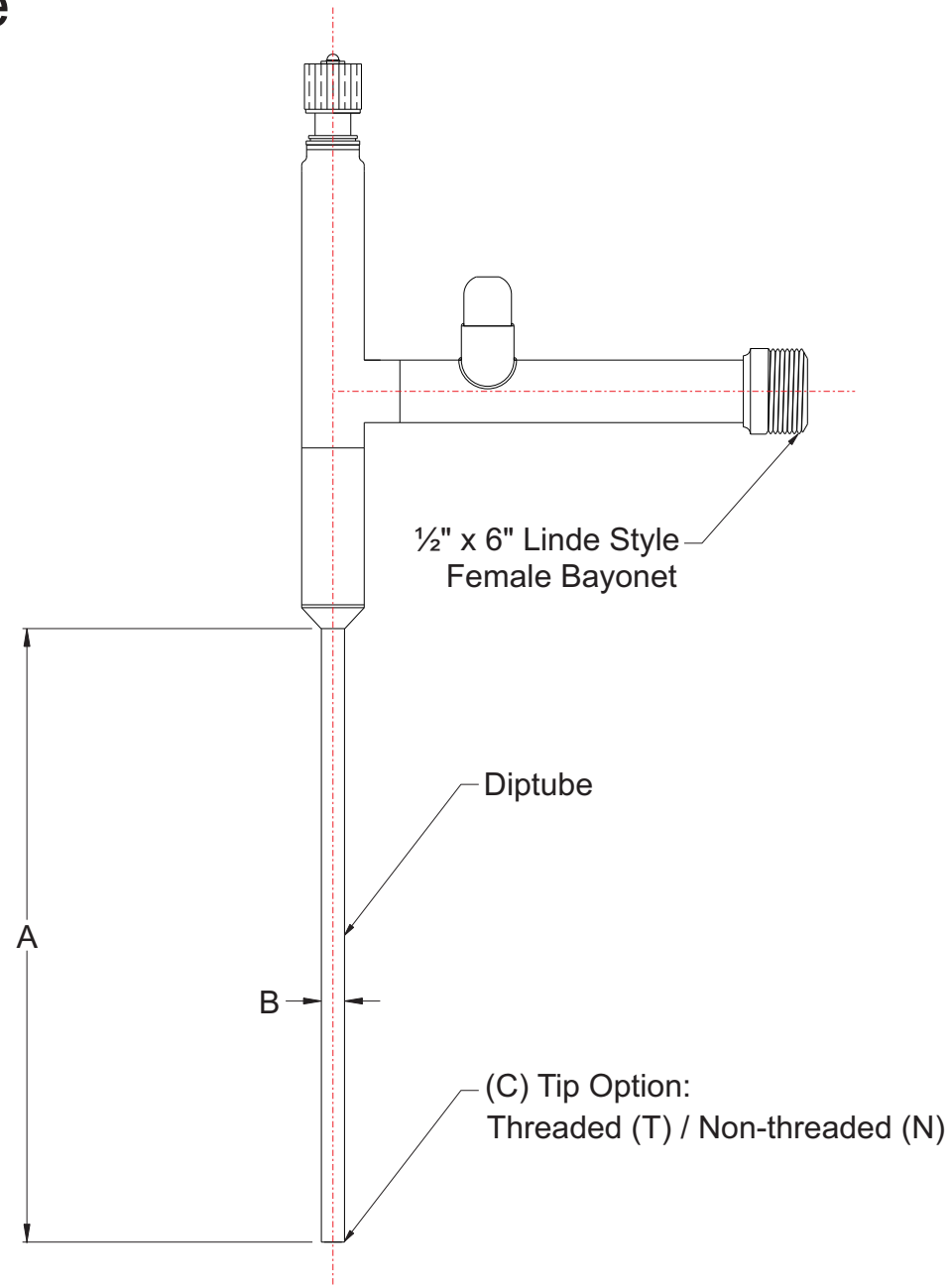
Withdrawal Hose (Plain)



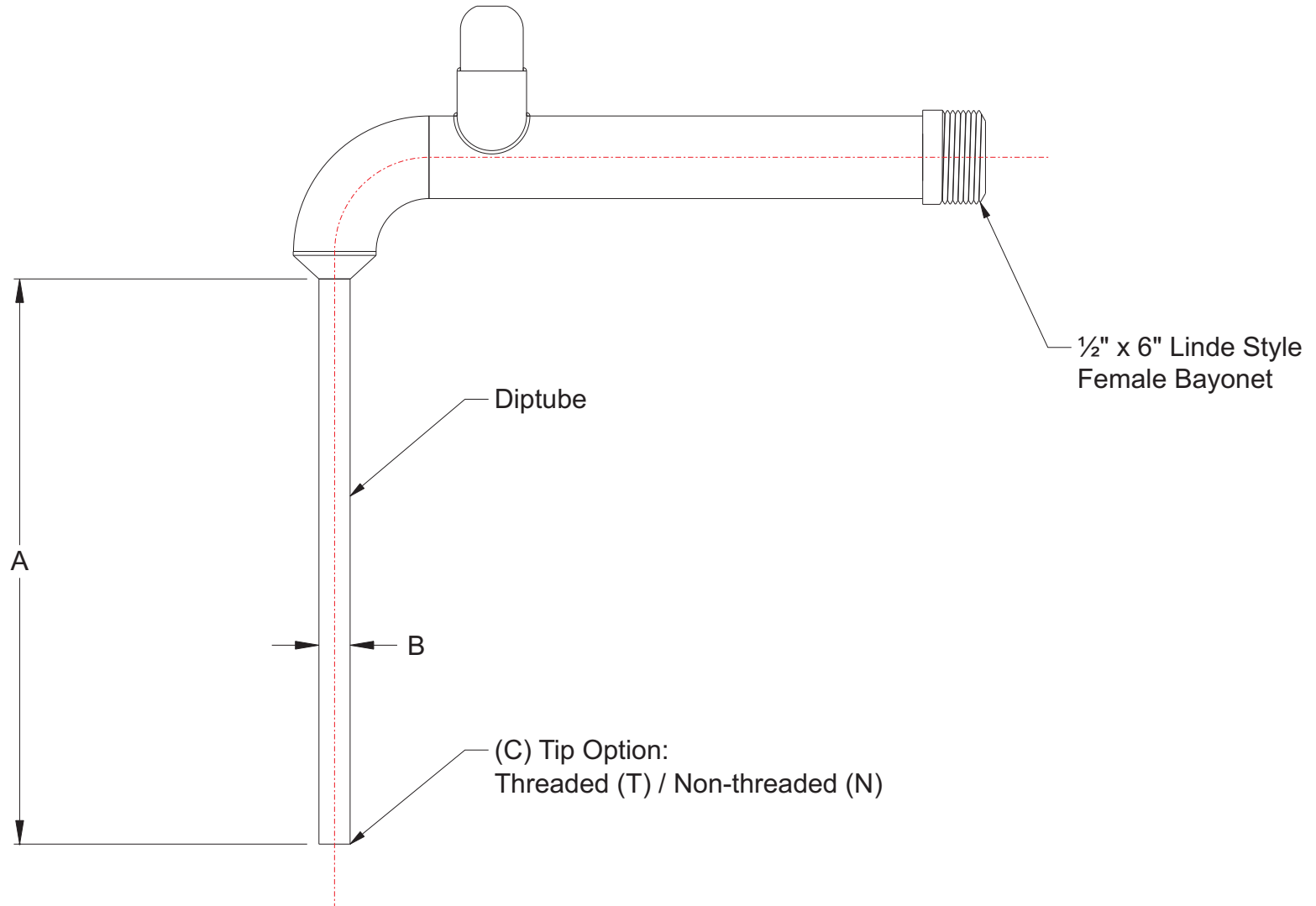
Withdrawal Hose (Valve)



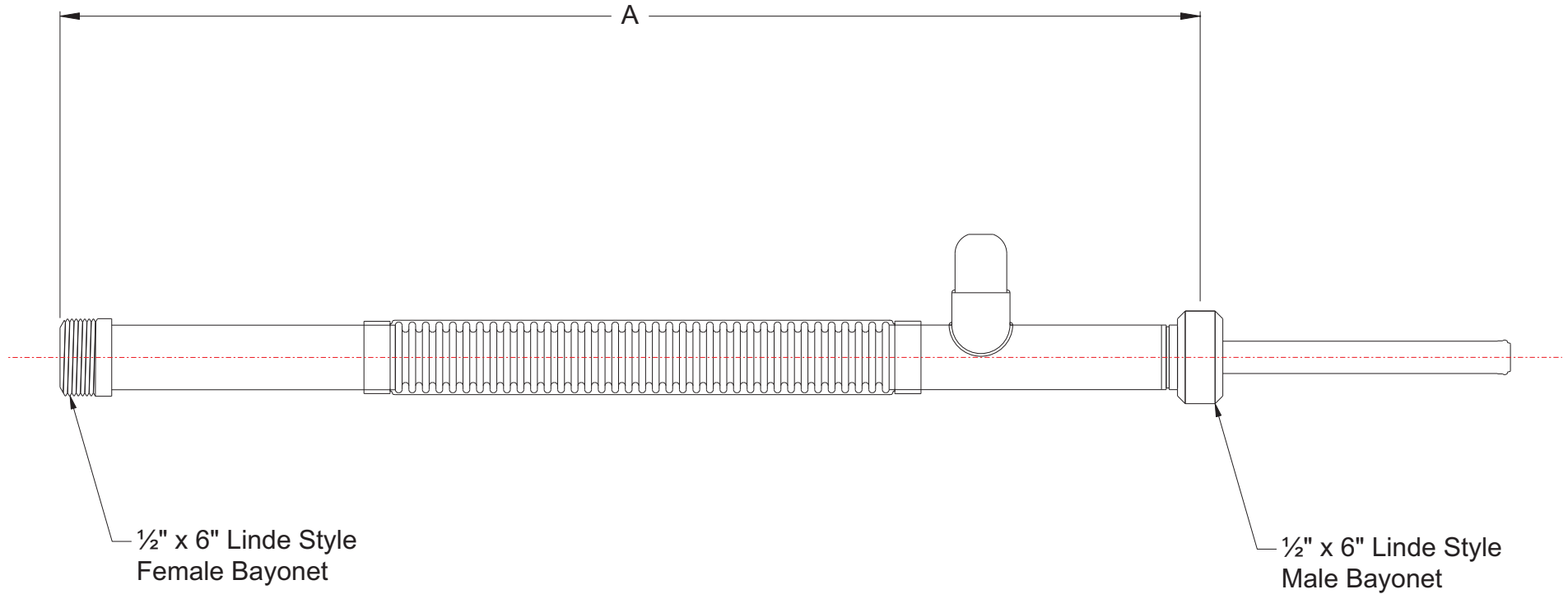
Withdrawal Lance



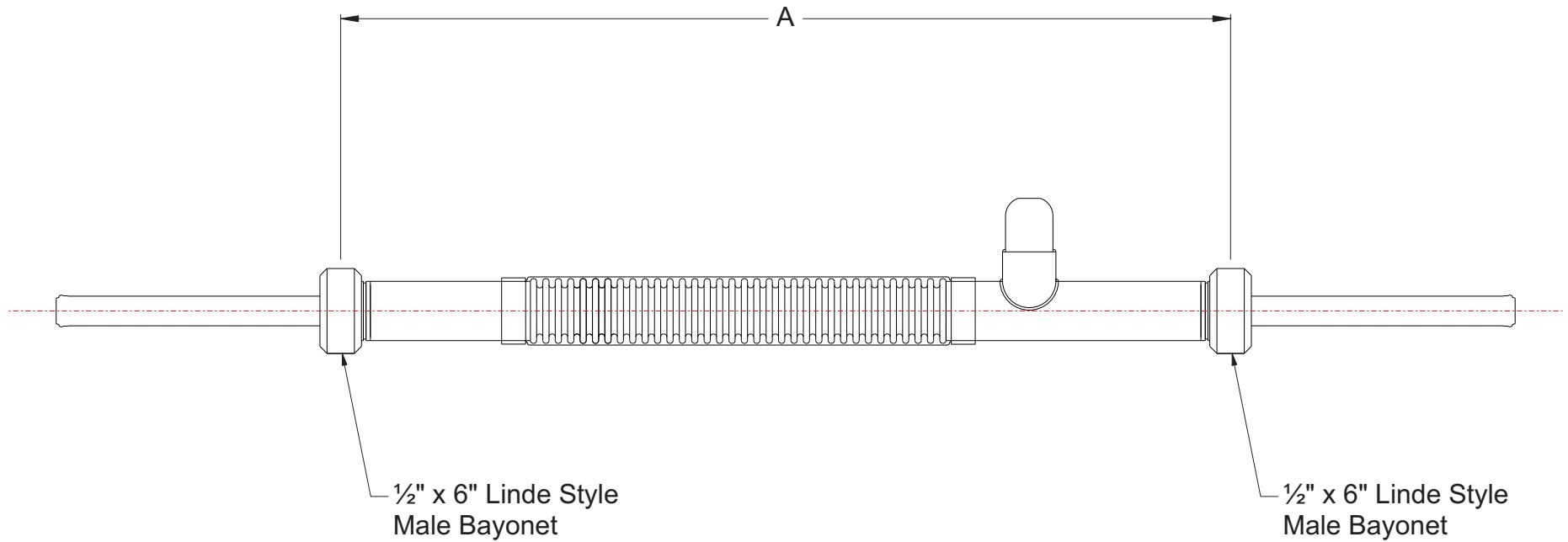
Fill Lance (Stinger)



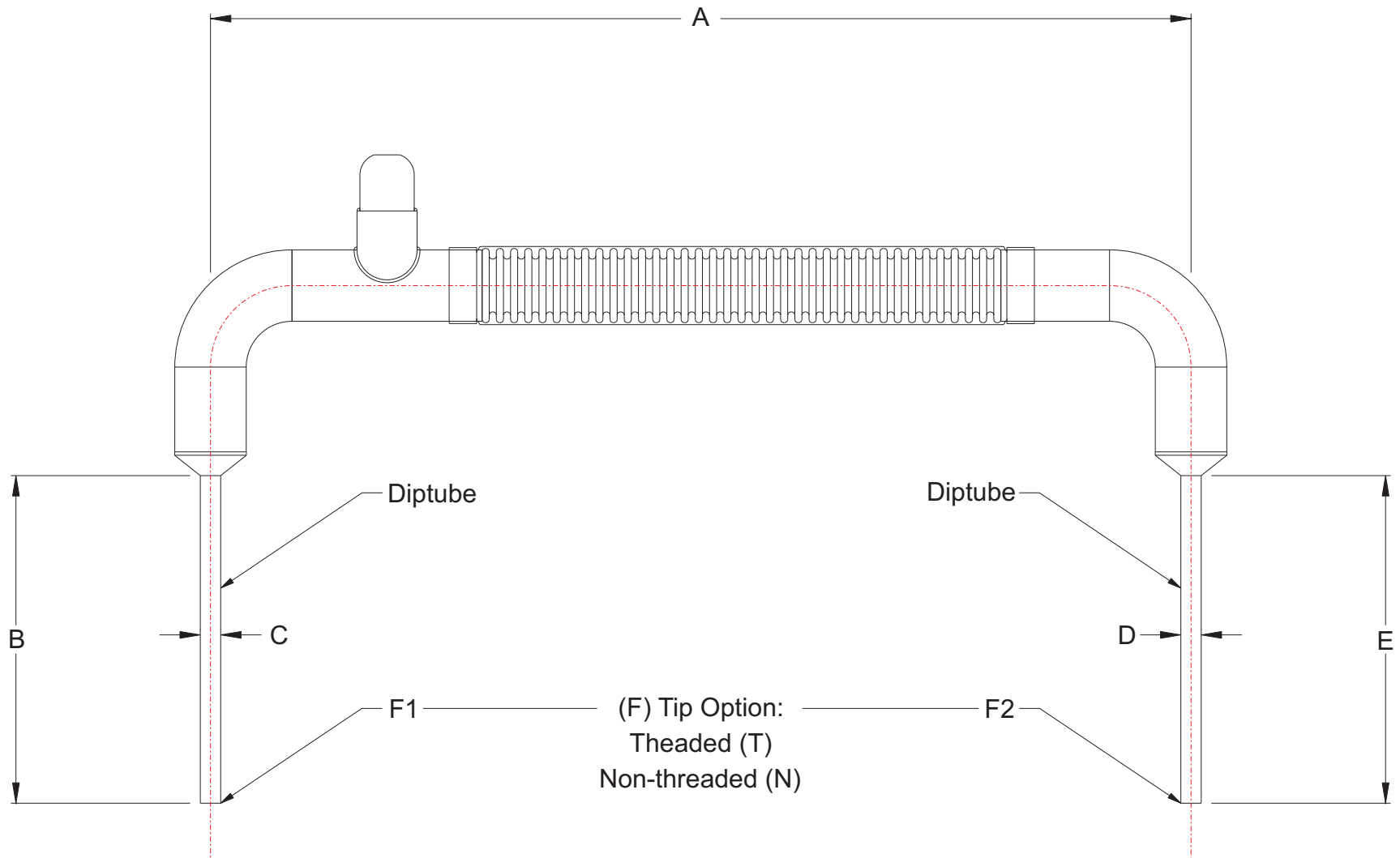
Extension Hose (F x M)



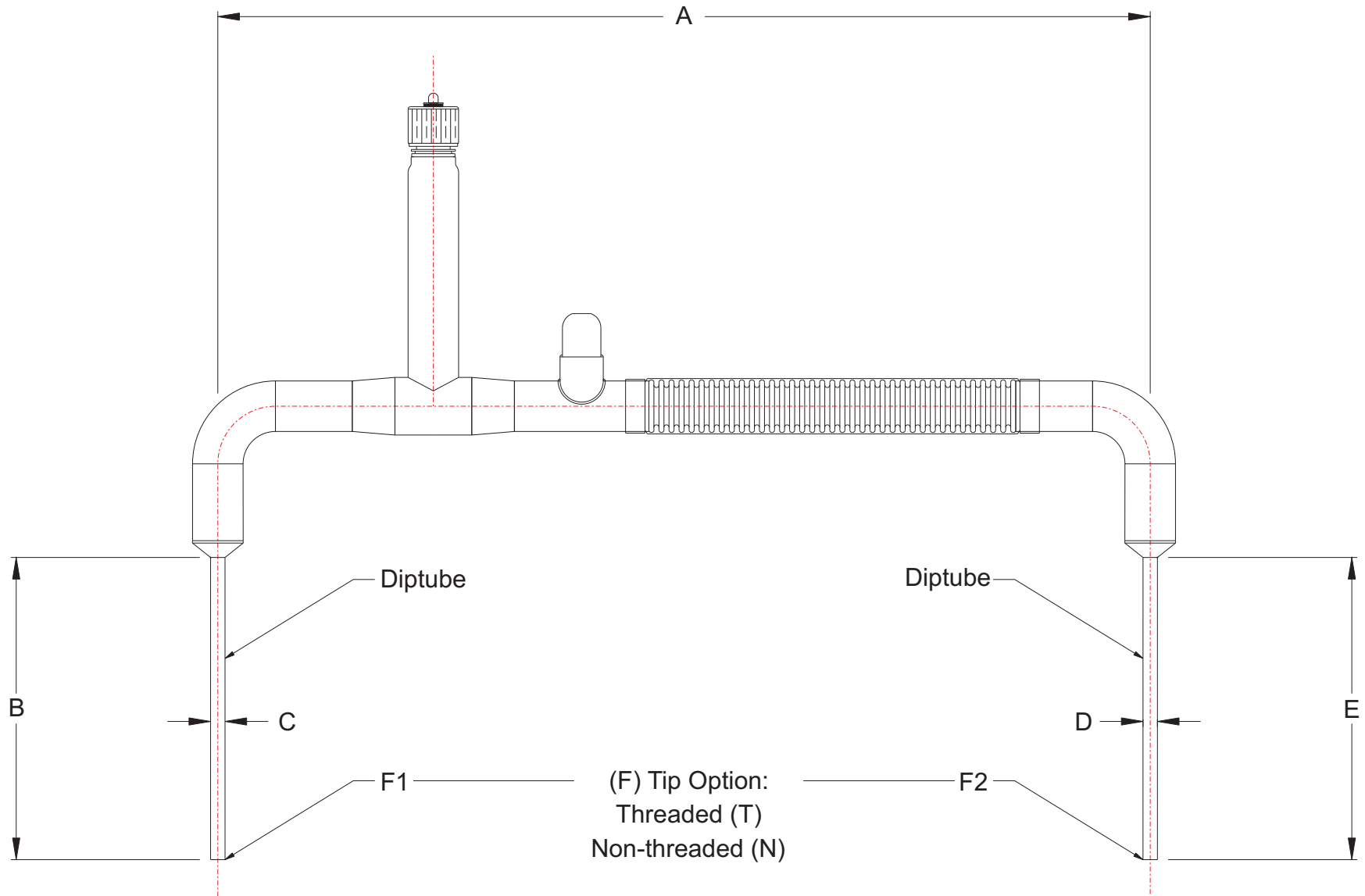
Extension Hose (M x M)



Flexible "U" Hose (Plain)



Flexible "U" Hose (Valve)



Diptube Extension

